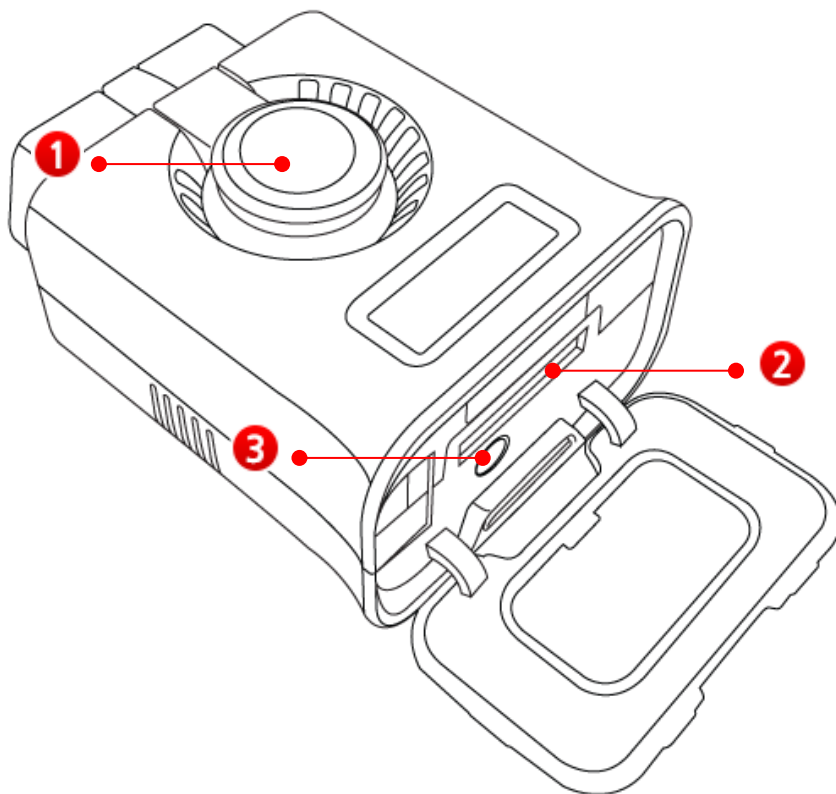


Hardware



VCI II Component Identification and Functions

1	VCI II Unlock button	Unlock button for the connection between VCI II and OBD-II(16Pin). When disconnecting VCI II from OBD-II(16Pin) on the vehicle side, press the button
2	External Connector for USB cable	Communication port for Connecting between VCI II and Tablet PC with USB cable
3	Bluetooth Pairing Button	Button for pairing with Bluetooth Trigger Module

VCI II Specification

◆ General Features

Item		Specifications
Micro Controller		ARM 32-bit Cortex™-M3 / 120MHz
Memory		Flash Memory 1MByte SRAM 128KByte
Operating Voltage		7~35VDC
Temperature	Operating	-10℃ ~ 50℃ (14°F ~ 122°F) : Wireless LAN Mode -10℃ ~ 55℃ (14°F ~ 131°F) : USB Mode
	Storage	-20℃ ~ 80℃ (-4°F ~ 176°F)
Relative Humidity	Operating	Noncondensing @ 0℃ ~ 10℃ (32°F ~ 50°F)
		95%RH @ 10℃ ~ 30℃ (50°F ~ 86°F)
		70%RH @ 30℃ ~ 55℃ (86°F ~ 131°F)
Storage		Noncondensing @ -20℃ ~ 80℃ (-4°F ~ 176°F)
Operating Mode		Diagnosis Function / Flight Record Function
Current Consumption		Typical 300mA @12V
Housing		PC + ABS
Dimension		58 X 74 X 36 mm
Weight		90g

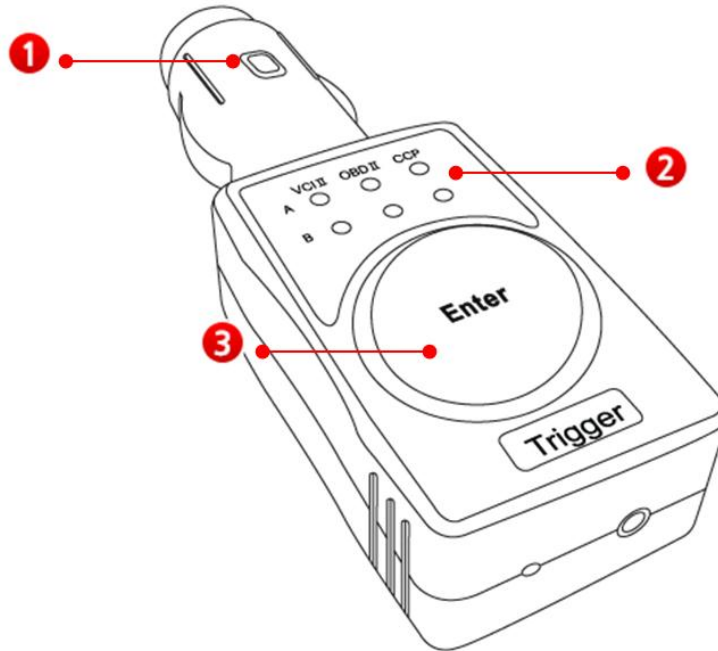
◆ Interface

Item	Specifications
Wire protocol	USB 2.0 Full Speed via 30-pin Connection
Wireless protocol	Wireless LAN IEEE 802.11 a/b/g/n (2.4GHz / 5GHz) Bluetooth 2.1 + EDR
Indicators	2 LEDs(Front/Bottom)
Button	Pairing key (with Trigger Module)

◆ VCI II (Vehicle Communication Interface)

Item	Specifications
Protocol	CAN (High Speed, Low Speed), KWP-2000 (4CH), Flexray

Trigger Module Component Identification and Functions



1	Trigger Cigar Lighter connector	Supplies the power to the Trigger Module, should be connected to the Cigar Lighter on the vehicle
2	Trigger Status LED	Indicates VCI II communication status
3	Trigger Enter Button	When using Trigger manually, the color of lights indicates the current status of trigger module



Notice

☞ **Bluetooth Trigger Module must be inserted to Cigar Lighter in order to use the function of driving data analysis.**

Trigger Module Specification

◆ General Features

Item		Specifications
Micro Controller		ARM 32-bit Cortex™-M3 / 120MHz
Memory		Flash Memory 1MByte SRAM 128KByte
Operating Voltage		7~35VDC
Temperature	Operating	-10℃ ~ 50℃ (14°F ~ 122°F) : Bluetooth Mode
	Storage	-20℃ ~ 80℃ (-4°F ~ 176°F)
Relative Humidity	Operating	Noncondensing @ 0℃ ~ 10℃ (32°F ~ 50°F)
		95%RH @ 10℃ ~ 30℃ (50°F ~ 86°F)
		70%RH @ 30℃ ~ 50℃ (86°F ~ 122°F)
	Storage	Noncondensing @ -20℃ ~ 80℃ (-4°F ~ 176°F)
Current Consumption		Typical 70mA @12V
Housing		PC + ABS
Dimension		39 X 112 X 26 mm
Weight		55g

◆ Interface

Item	Specifications
Wireless protocol	Bluetooth 2.1 + EDR
Indicators	6 LEDs + Enter Key Backlight LED
Button	Enter Key

TPMS Module Specification

◆ General Features

Item		Specifications
Micro Controller		8Bit MCU (MB95F136) @4MHz
Operating Voltage		7~35V DC
Specification		RS 232, 9600 bps
TPMS LF/RF		LF: 125 kHz RF: 315MHz or 433MHz
TPMS Protocol		SIEMENS (FSK), LEAR, TRW, etc.
Rechargeable		Li-Ion Polymer 2100mAh 1cell
Temperature	Operating	0°C~45°C (32°F~113°F) : Charging -10°C~50°C (14°F~122°F) : Discharging
	Storage	-10°C~70°C (14°F~158°F)
Relative Humidity	Operating	Noncondensing @ 0°C~10°C (32°F~50°F)
		90%RH @ 10°C~30°C (50°F~86°F)
		70%RH @ 30°C~50°C (86°F~122°F)
	Storage	Noncondensing @ -10°C~70°C (14°F~158°F)
	POWER	RED
	CHARGE	RED, GREEN
LF/RF LED	RED, GREEN	
Button		Power ON/OFF Key, Enter Key
Module Size		127 X 86 X 36 mm
Weight		255 g
Case		PC+ABS
Shroud		TPE

TPMS B/T Adapter Specification

◆ General Features

Item		Specifications
Micro Controller		ARM 32-bit Cortex 120MHz
Memory		Flash Memory 1MByte SRAM 128KByte
Operating Voltage		7~35VDC
Temperature	Operating	0 ~ 45 °C (32°F ~ 113°F) : Charging -10 ~ 50 °C (14°F ~ 122°F) : Discharging
	Storage	-10 °C ~ 70 °C (14°F ~ 158°F)
Relative Humidity	Operating	Noncondensing @ 0 °C ~ 10 °C (32°F ~ 50°F) 95%RH @ 10 °C ~ 30 °C (50°F ~ 86°F)
		70%RH @ 30 °C ~ 50 °C (86°F ~ 122°F)
	Storage	Noncondensing @ -10 °C ~ 70 °C (14°F ~ 158°F)
Current Consumption		Typical 180mA @12V
Rechargeable Battery		Li-Ion Polymer 1000mAh 1cell
Housing		PC + ABS & TPE Rubber Shroud
Dimension		81 X 75 X 45 mm
Weight		145g

◆ Interface

Item	Specifications
Wire protocol	RS232 UART
Wireless protocol	Bluetooth 2.1 + EDR
Indicators	2 LEDs(POWER/STATUS, CHARGE)

VCI Specification



◆ General Features

Item		Specifications
Micro Controller		ARM9 (S3C2410A) @ 208MHz
Memory		RAM 32MByte ROM 32MByte
Operating Voltage		7~35VDC
Temperature	Operating	-10℃ ~ 70℃ (14°F ~ 158°F): USB Mode
	Storage	-20℃ ~ 80℃ (-4°F ~ 176°F)
Relative Humidity	Operating	Noncondensing @ 0℃ ~ 10℃ (32°F ~ 50°F)
		95%RH @ 10℃ ~ 30℃ (50°F ~ 86°F)
		70%RH @ 30℃ ~ 50℃ (86°F ~ 122°F)
	Storage	40%RH @ 50℃ ~ 70℃ (122°F ~ 158°F)
Operating Mode		Diagnosis Function / Flight Record Function
Current Consumption		Typical 350mA @12V
Housing		ABS & Rubber Shroud
Dimension		170 x 105 x 33 mm
Weight		350g

◆ **Tablet Connection**

Item	Specifications
Wire protocol	USB 1.1

◆ **VCI (Vehicle Communication Interface)**

Item	Specifications
CAN	CAN 2.0B
K-Line/L-Line	ISO-9141, ISO-9141-CARB, KWP-2000
Commercial Veh.	SAE-J1708, RS-232C
Data/Control Line	Melco Pull-Down UART

◆ **Added Interface**

Item	Specifications
VSS	Vehicle speed simulation
Voltage Output	5 ~20 VDC

VCI II**CAUTION:**

RISK OF EXPLOSION IF BATTERY IS REPLACED BY AN INCORRECT TYPE.
DISPOSE OF USED BATTERIES ACCORDING TO THE INSTRUCTIONS.

Changes or modifications not expressly approved by the party responsible for compliance

Could void the user's authority to operate the equipment.

This device complies with part 15 of the FCC Rules.

Operation is subject to the following two conditions:

(1) This device may not cause harmful interference, and (2) this device must accept any interference received, including interference that may cause undesired operation.

**NOTE:**

This equipment has been tested and found to comply with the limits for a Class B digital device, pursuant to Part 15 of the FCC Rules. These limits are designed to provide reasonable protection against harmful interference in a residential installation. This equipment generates, uses and can radiate radio frequency energy and, if not installed and used in accordance with the instructions, may cause harmful interference to radio communications. However, there is no guarantee that interference will not occur in a particular installation. If this equipment does cause harmful interference to radio or television reception, which can be determined by turning the equipment off and on, the user is encouraged to try to correct the interference by one or more of the following measures:

- Reorient or relocate the receiving antenna.
- Increase the separation between the equipment and receiver.
- Connect the equipment into an outlet on a circuit different from that to which the receiver is connected.
- Consult the dealer or an experienced radio/TV technician for help.

This product is CE marked according to the provision of the R&TTE Directive (99/5/EC). Here by G.I.T co., Ltd.. declares that this product is in compliance with the essential requirements and other relevant provisions of Directive 1999/5/EC

CE 0678 

Trigger Module

CAUTION:

RISK OF EXPLOSION IF BATTERY IS REPLACED BY AN INCORRECT TYPE.
DISPOSE OF USED BATTERIES ACCORDING TO THE INSTRUCTIONS.

Changes or modifications not expressly approved by the party responsible for compliance

Could void the user's authority to operate the equipment.

This device complies with part 15 of the FCC Rules.

Operation is subject to the following two conditions:

(1) This device may not cause harmful interference, and (2) this device must accept any interference received, including interference that may cause undesired operation.



NOTE:

This equipment has been tested and found to comply with the limits for a Class B digital device, pursuant to Part 15 of the FCC Rules. These limits are designed to provide reasonable protection against harmful interference in a residential installation. This equipment generates, uses and can radiate radio frequency energy and, if not installed and used in accordance with the instructions, may cause harmful interference to radio communications. However, there is no guarantee that interference will not occur in a particular installation. If this equipment does cause harmful interference to radio or television reception, which can be determined by turning the equipment off and on, the user is encouraged to try to correct the interference by one or more of the following measures:

- Reorient or relocate the receiving antenna.
- Increase the separation between the equipment and receiver.
- Connect the equipment into an outlet on a circuit different from that to which the receiver is connected.
- Consult the dealer or an experienced radio/TV technician for help.

This product is CE marked according to the provision of the R&TTE Directive (99/5/EC). Here by G.I.T co., Ltd.. declares that this product is in compliance with the essential requirements and other relevant provisions of Directive 1999/5/EC

CE 0678

TPMS B/T Adapter

CAUTION:

RISK OF EXPLOSION IF BATTERY IS REPLACED BY AN INCORRECT TYPE.
DISPOSE OF USED BATTERIES ACCORDING TO THE INSTRUCTIONS.

Changes or modifications not expressly approved by the party responsible for compliance

Could void the user's authority to operate the equipment.

This device complies with part 15 of the FCC Rules.

Operation is subject to the following two conditions:

(1) This device may not cause harmful interference, and (2) this device must accept any interference received, including interference that may cause undesired operation.



NOTE:

This equipment has been tested and found to comply with the limits for a Class B digital device, pursuant to Part 15 of the FCC Rules. These limits are designed to provide reasonable protection against harmful interference in a residential installation. This equipment generates, uses and can radiate radio frequency energy and, if not installed and used in accordance with the instructions, may cause harmful interference to radio communications. However, there is no guarantee that interference will not occur in a particular installation. If this equipment does cause harmful interference to radio or television reception, which can be determined by turning the equipment off and on, the user is encouraged to try to correct the interference by one or more of the following measures:

- Reorient or relocate the receiving antenna.
- Increase the separation between the equipment and receiver.
- Connect the equipment into an outlet on a circuit different from that to which the receiver is connected.
- Consult the dealer or an experienced radio/TV technician for help.

This product is CE marked according to the provision of the R&TTE Directive (99/5/EC). Here by G.I.T co., Ltd.. declares that this product is in compliance with the essential requirements and other relevant provisions of Directive 1999/5/EC

CE 0678